



TRIOBIKE



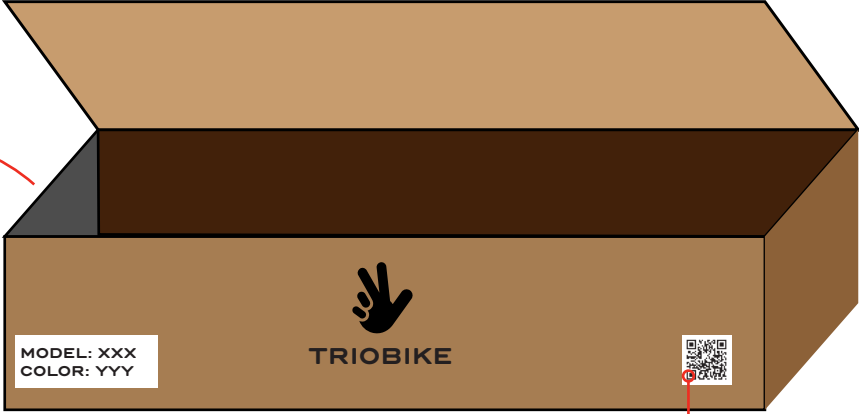
BOXTER

SEAT ASSEMBLY INSTRUCTIONS

ENGLISH V 1.4 - MY24



# 2 KIDS SEAT KIT PARTS



QR code - scan to download the manual

Backrest

Seat (with Velcro on the back side)

3x L shaped brackets:  
- 1x to mount upside  
- 2x to mount downside

4x DIN 7991 M6x25 bolts

4x M6 locknuts

4x M6x18mm washers

2x 3-points seat belts

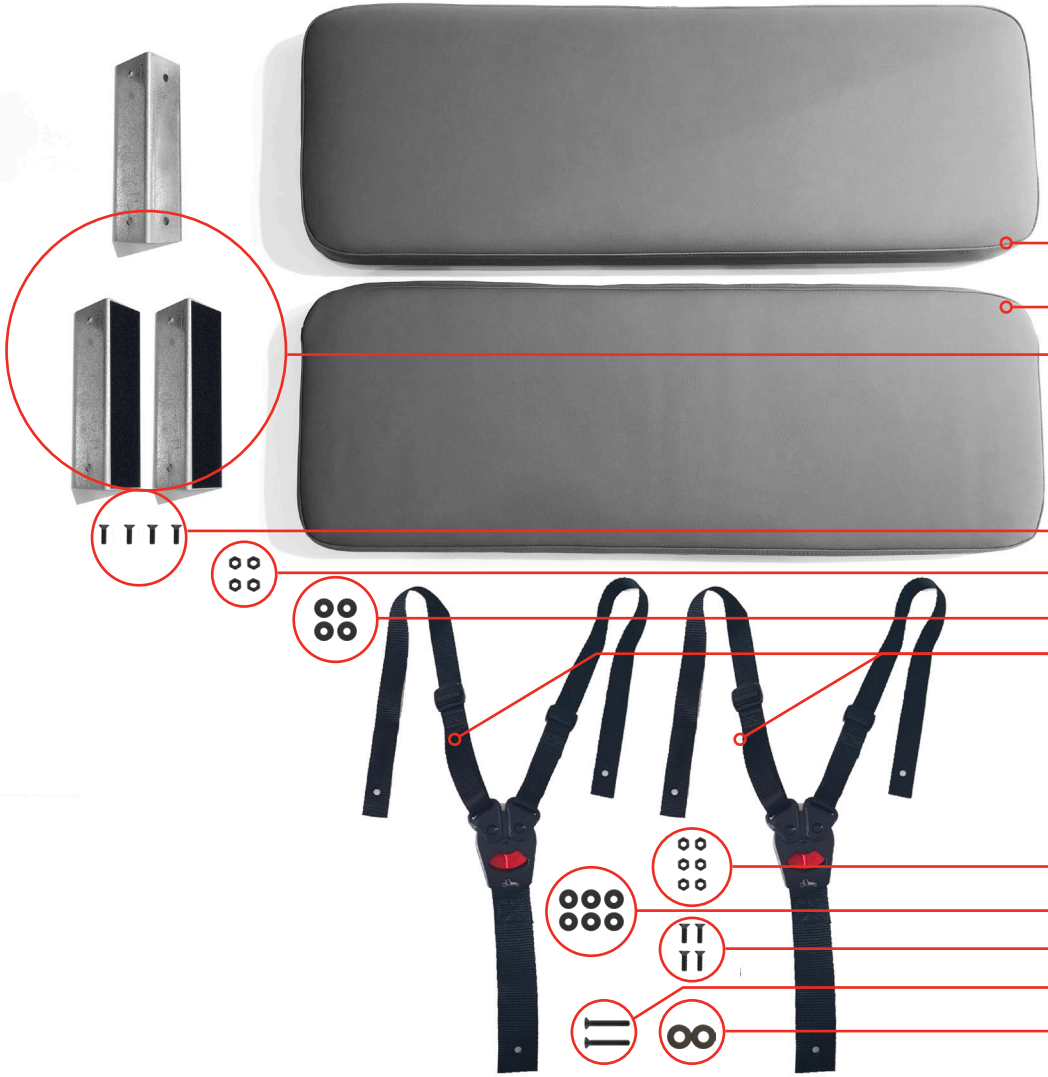
6x M6 locknuts

6x M6x18mm washers

4x DIN 7991 M6x25 bolts

2x DIN 7991 M6x40 bolts

2x M10 washers





## NEEDED TOOLS

---



**1-** Hex key, sizes: 3, 4, 5 mm

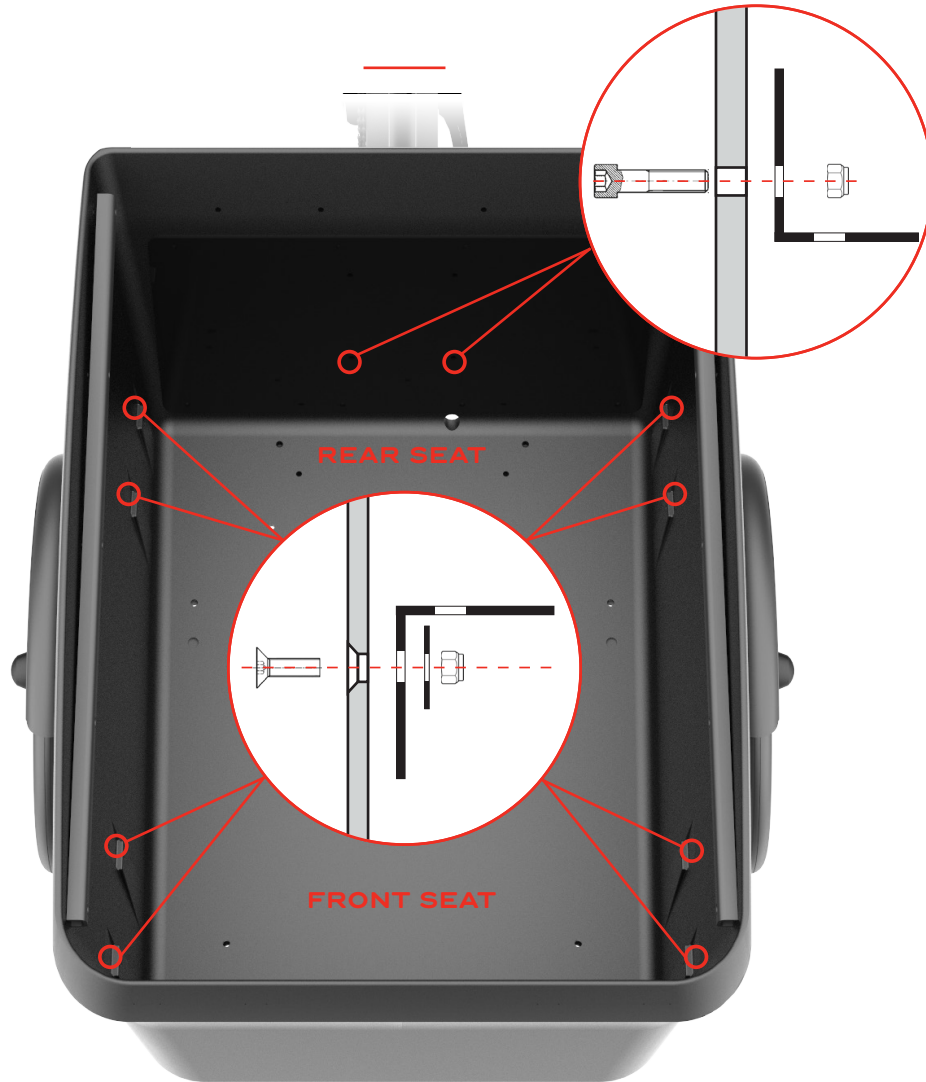


**2-** Wrench, sizes: 10 mm



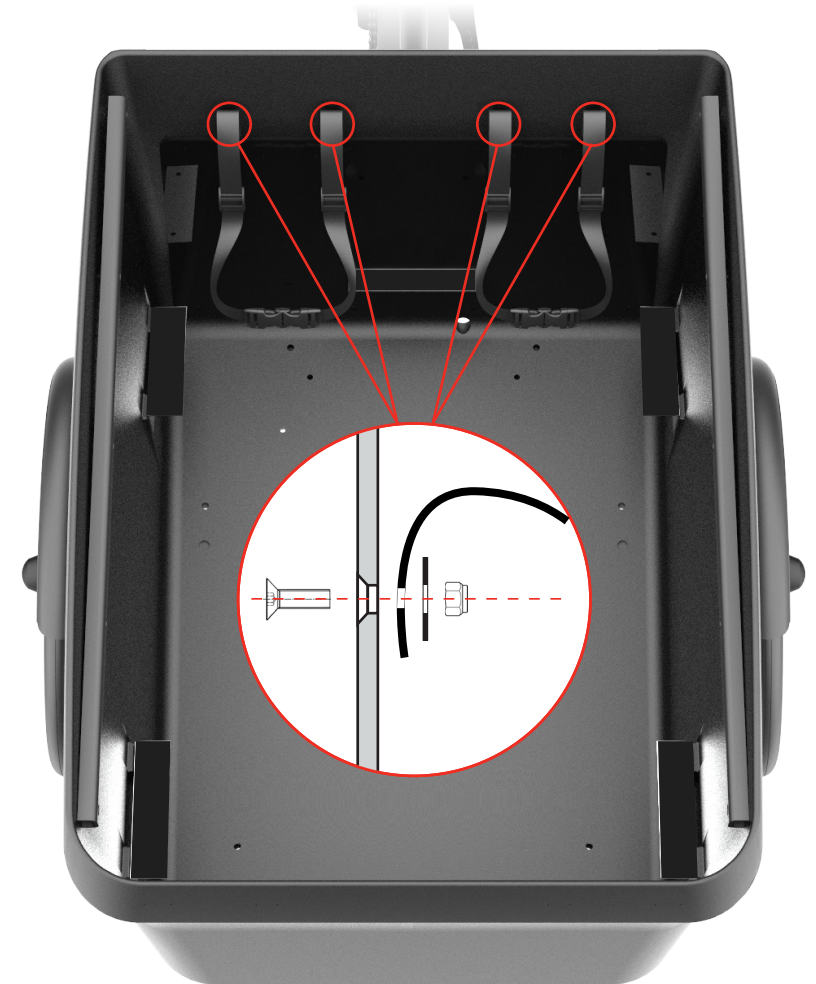
## ASSEMBLING THE SEAT

ALL PICTURES SHOW 4 KIDS CONFIGURATION



**1-** Mount the brackets on the box, using 2xM6x25 countersunk head bolt + washer + locknut for each side bracket, in the positions shown above. **ONLY FOR REAR SEAT:** mount a bracket in the middle of the box rear wall, upside down compared to the other brackets (use the bolts and nuts from the steering column). **USE A TORQUE OF 8 Nm MAX.**

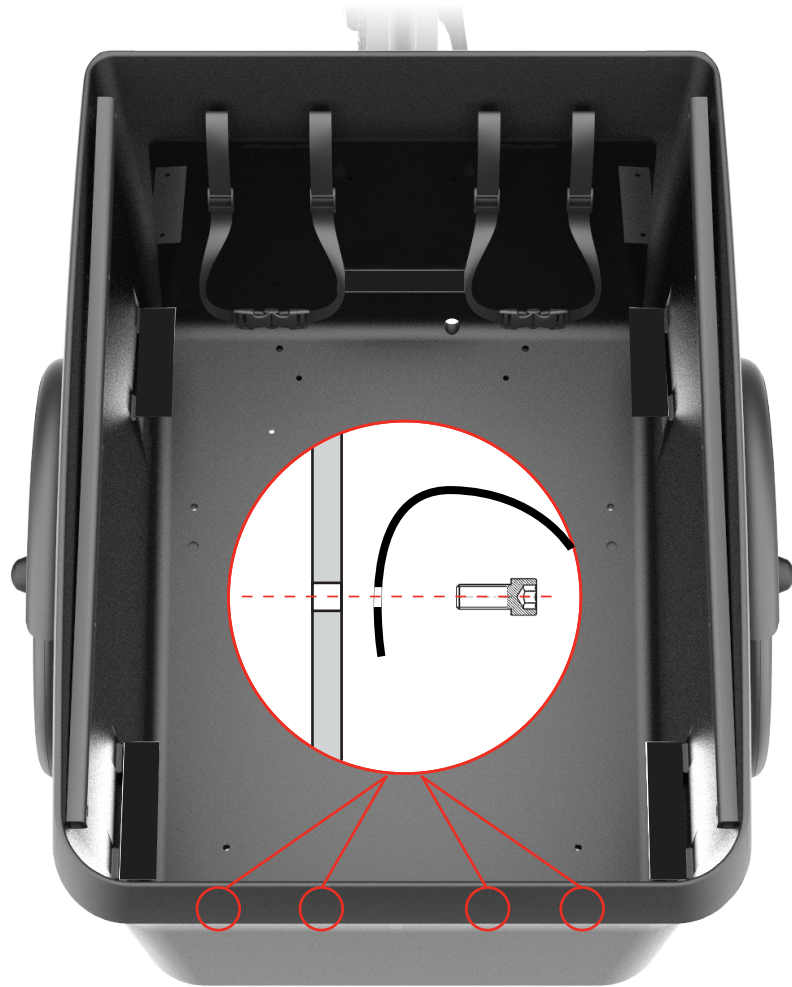
6



**2-** Connect seat belt shoulder holders to the rear wall on the box with 2xM6x25 bolt + washer + locknut each in the specific countersunk holes. **USE A TORQUE OF 8 Nm MAX.**

7

### ASSEMBLING THE SEAT

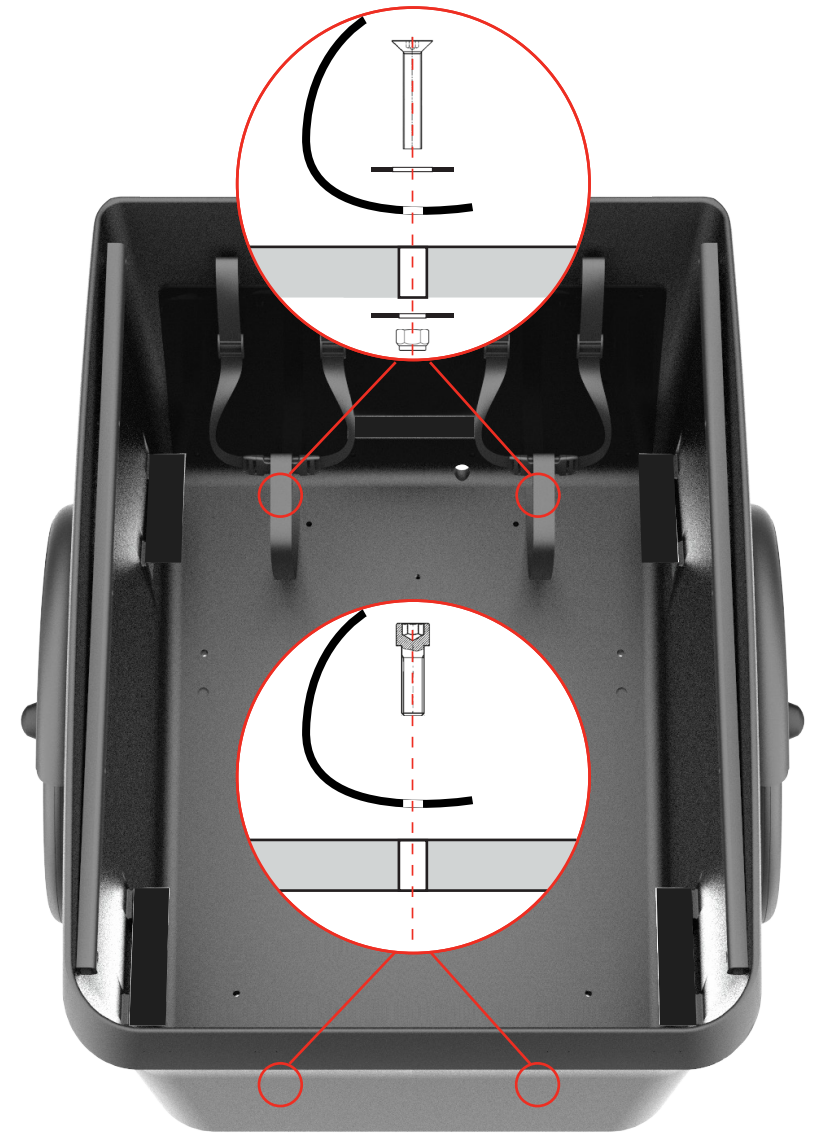


**3-** Connect seat belt shoulder holders to the front wall on the box with 2x M5x12 non-countersunk bolt each in the specific threaded holes.

**USE A TORQUE OF 5 Nm MAX.**

8

### ASSEMBLING THE SEAT



**4-** Connect front seat belt bottom parts to the box floor, using 1xM6 bolt each in the specific threaded holes. For the rear ones, use 1xDIN7991 M6x40 bolt + 1xM10 washer on top + 1xm6x18 washer + nut on the bottom, as shown on the picture. **USE A TORQUE OF 5 Nm MAX.**

9

## ASSEMBLING THE SEAT



**5-** Remove the protectors from the Velcro strips on the backrest rear side.

**6-** Place the backrest on the box, as shown on picture. Apply some force so that the Velcro adheres.

## ASSEMBLING THE SEAT



**7-** Place the seat on the brackets, aligned with the Velcro, and push so that the Velcro adheres.



TRIOBIKE

TRIOBIKE A/S

Vesterbrogade 149, 1620 Copenhagen V - Denmark

phone: +45 3670 0070

[info@triobike.dk](mailto:info@triobike.dk) | [www.triobike.com](http://www.triobike.com)